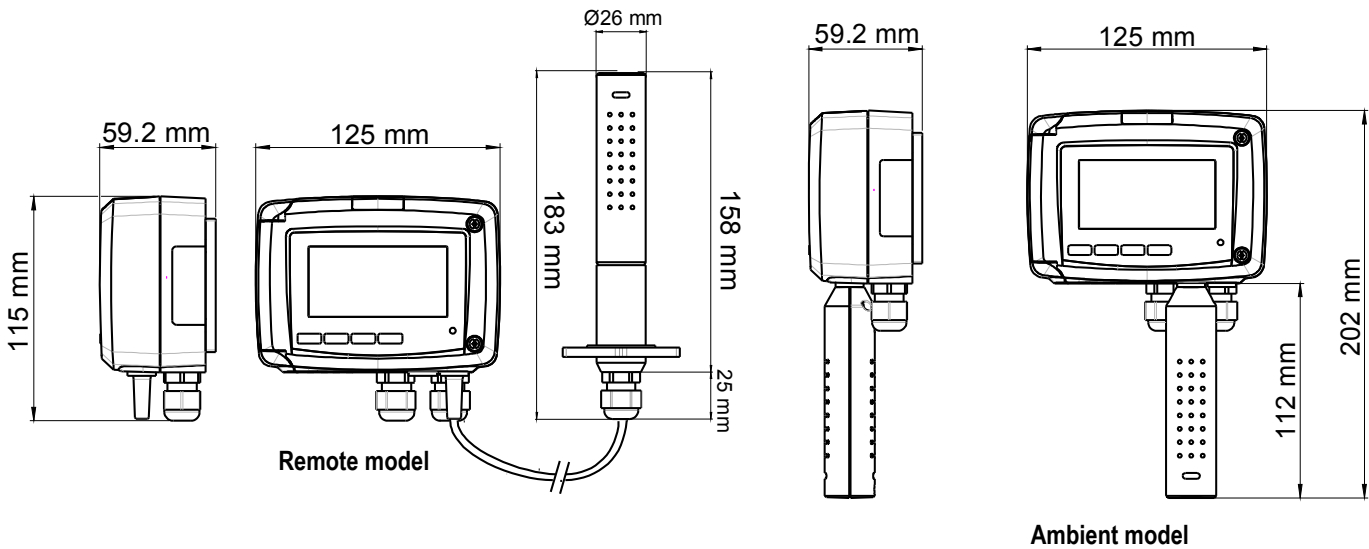


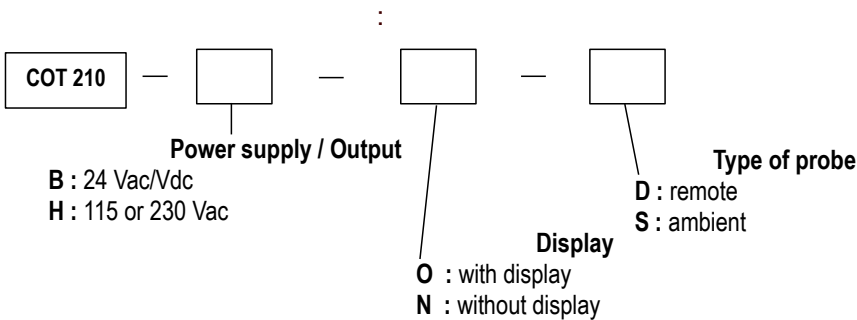
**CO,
COT 210**



- : 0 ~ 500ppm / 0 ~ 50
- 4wire : 0-5/10V 0/4-20mA
- : 24Vdc/Vac 115/230Vac
-
- ABS V0 IP65 ,
- "1/4 turn" ,



: ABS V0 as per UL94	:	10mm,	5mm
: IP65	:	8mm	
: 75 x 40 mm, LCD 19 digits 2 lines	:	320g	



Example : COT210 - BOS

CO, , 24Vac/Vdc, ,

()

	0 ~ 50
	,
*	±0.3
	T90 = 0.9 (Vair = 1m/s)
	0.1
	NTC
	가

(CO)

	0 ~ 500ppm
	ppm
	±3ppm ±3% of measured value
	T63 = 35
	0.1ppm
	가

**All the accuracies indicated in this technical datasheet were stated in laboratory conditions, and can be guaranteed for measurements carried out in the same conditions, or carried out with calibration compensation.

()

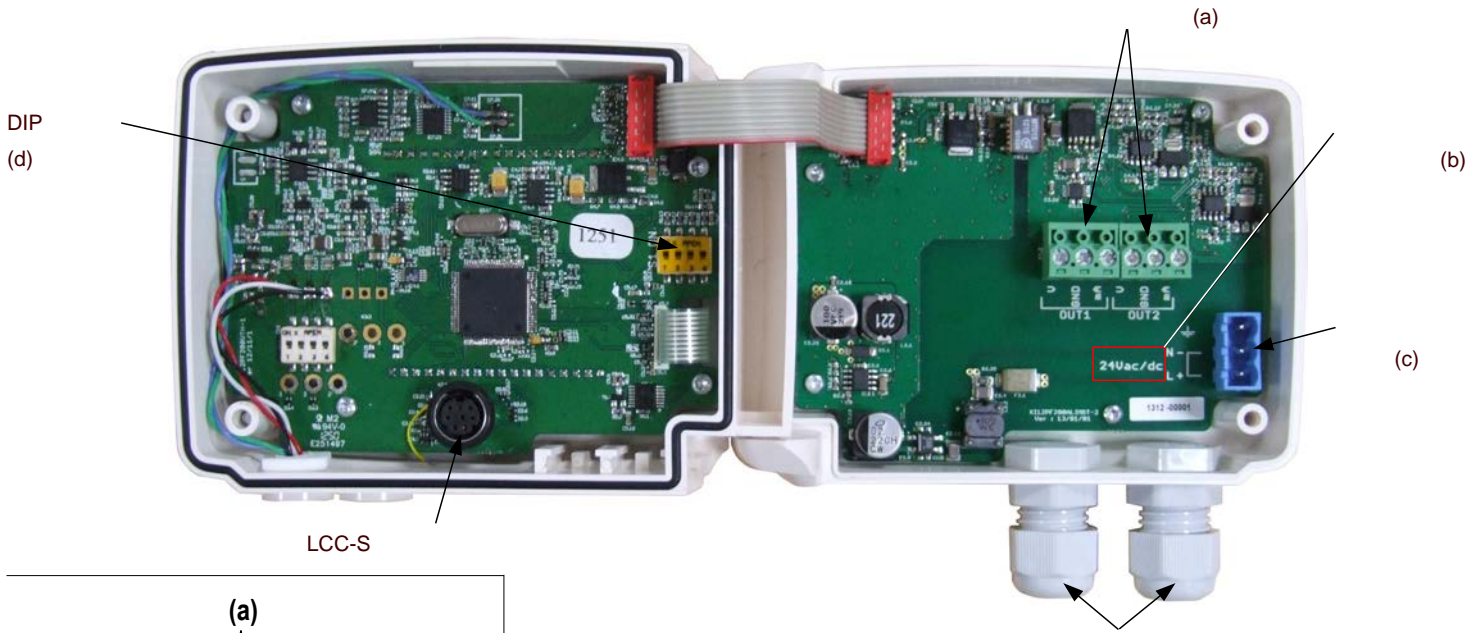
> Ambient probe

	: 112mm ; : 26mm
--	------------------

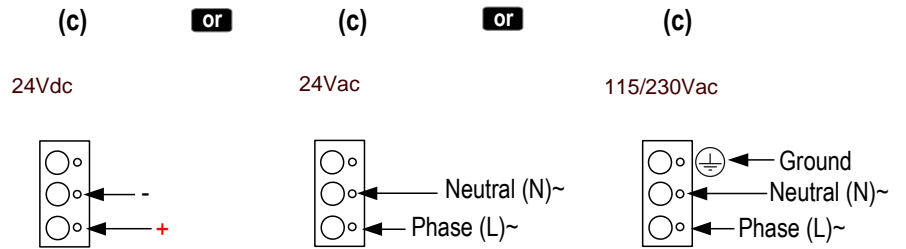
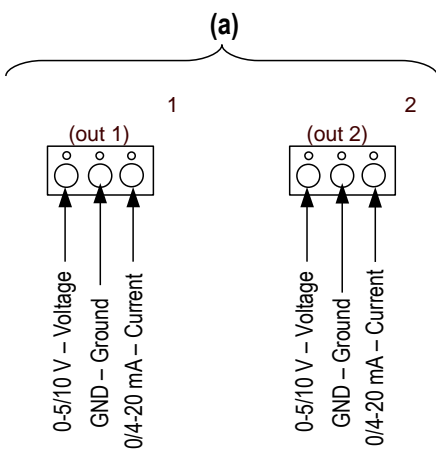
> Remote probe

	: 158mm(X), 183mm(O) ; : 26mm
	: 2m ; : 4.2mm

	24Vac/Vdc ±10%
	115Vac 230Vac ±10%, 50-60Hz
	2 x 4-20mA 2 x 0-20mA 2 x 0-5V 2 x 0-10V (4wires)
	: 500 Ohms (0/4-20mA)
	: 1K Ohms (0-5/10V)
	(115/230 Vac)
	(24 Vac/Vdc)
	5 VA
	EN61326
	(2.5mm ²)
PC	KIMO USB-Mini Din
	가
	가
	0 ~ 50
	-10 ~ 70



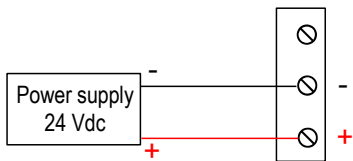
LCC-S



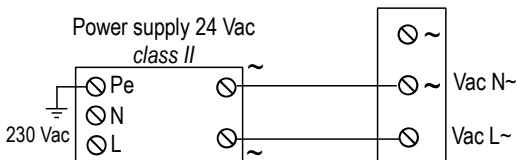
- NFC15-100 standard



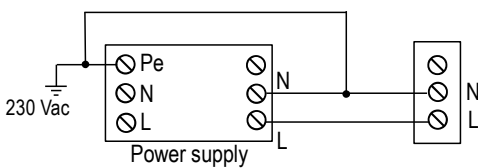
> For transmitters with 24 Vdc power supply :



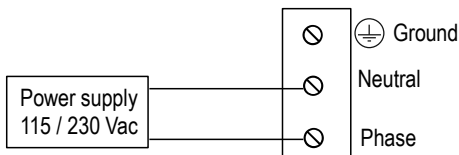
> For transmitters with 24 Vac power supply :



or



> For transmitters with 115 or 230 Vac power supply :

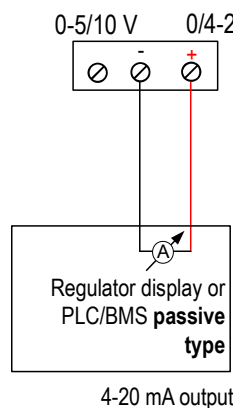


가

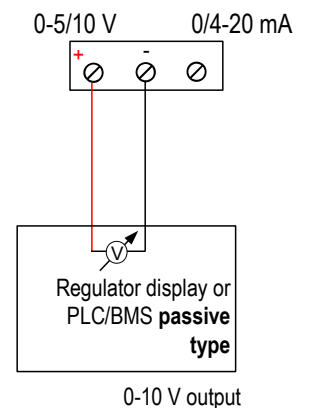
(0-5/10V) (0/4-20mA) DIP (d)

Configurations	4-20 mA	0-10 V	0-5 V	0-20 mA
Combinations				
	1 2 3 4	1 2 3 4	1 2 3 4	1 2 3 4

> Connection of the output in current 4-20 mA :



> Connection of output in voltage 0-10 V :



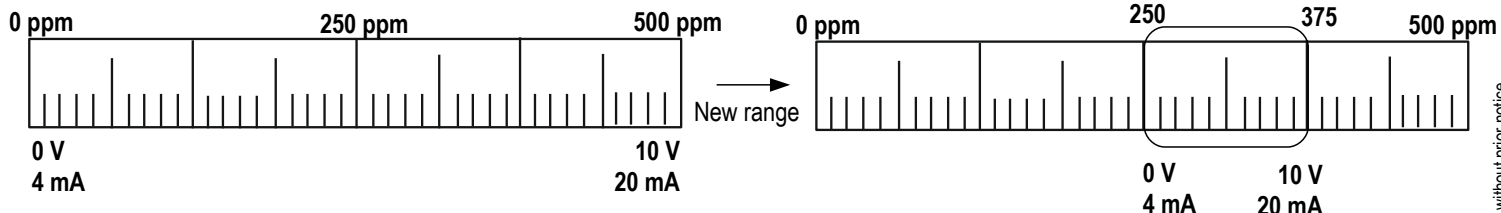
Class 210

가 : , , , ,

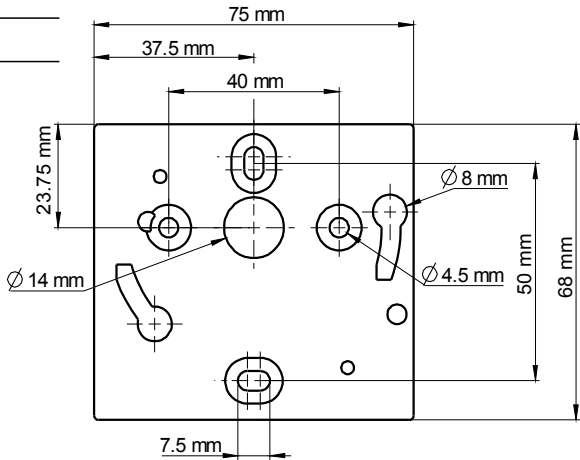
- () : (Class 210)

- (,) : 가 (LCC-S)

가 : . (20 .)



ABS (6mm)
 ABS " " 가



PLC/BMS) 가 0V, 5V, 10V 4mA, 12mA, 20mA . (/

: Class 210

- LCC-S : configuration software with USB cable
- Calibration certificate

www.kimo.fr

Distributed by :



EXPORT DEPARTMENT
 Tel : + 33. 1. 60. 06. 69. 25 - Fax : + 33. 1. 60. 06. 69. 29
 e-mail : export@kimo.fr